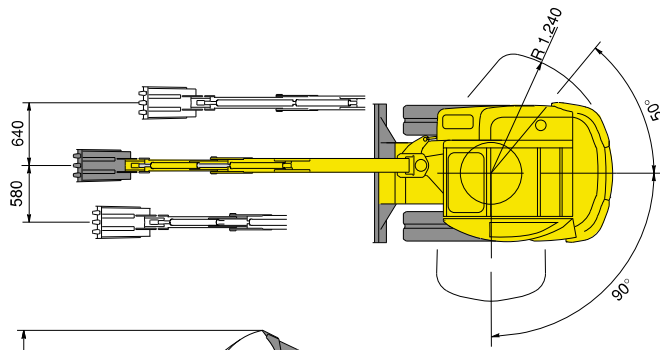


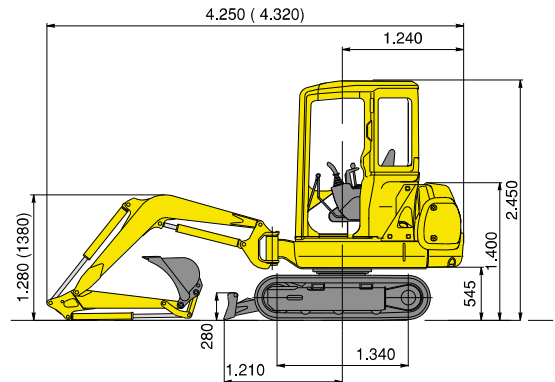
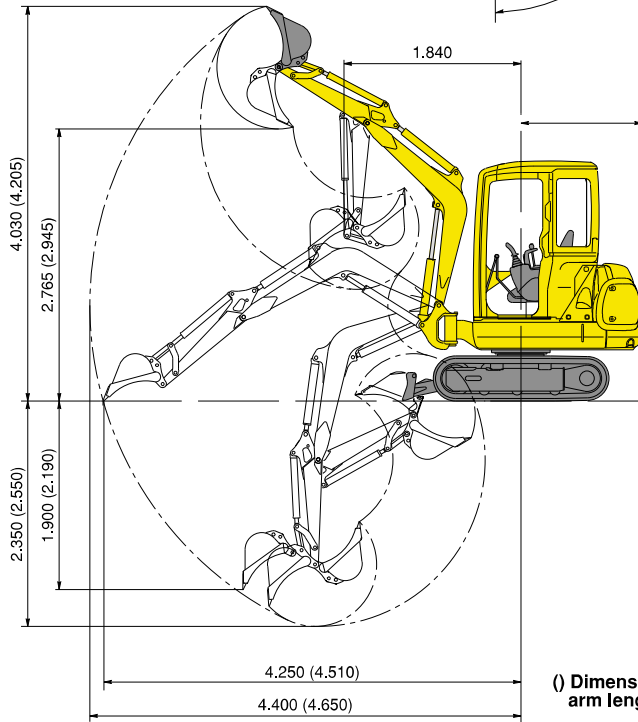
# PC20R-8 MINI-EXCAVATOR

## DIMENSIONS

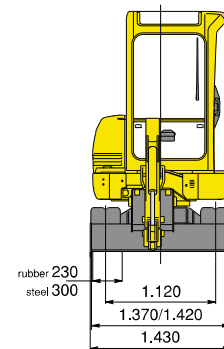


FRONT SWING RADIUS WITH 90° OFF-SET BOOM

Arm length	mm	1.070	1.320
Canopy/Cab	mm	1.400	1.440



( ) Dimensions with 1.320 mm arm length.



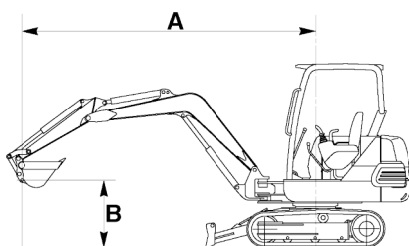
WORKING EQUIPMENT					
Bucket (ISO 7451) m <sup>3</sup>	Width mm	Weight kg	Number of teeth	Arm	
				1,070 mm	1,320 mm
0,035	250	30	2	O	O
0,055	350	40	3	O	O
0,07	450	50	4	O	O
0,085	550	60	5	O	X

This table is based on the lateral stability at the maximum outreach with full bucket.  
 - O with material density up to 1,8 t/m<sup>3</sup>; - X non usable.

## LIFTING CAPACITY

Machine with canopy, rubber shoes and 50 kg bucket  
 A- Distance from machine's center B- Height at bucket pin

Capacity over front Lateral or 360° capacity



### LOWERED BLADE

Arm length	B	A	2 m		3 m		Full extended	
			360°	Front.	360°	Front.	360°	Front.
L=1.070 mm	2 m	*850	*860	485	*525	300	*455	
	1 m	840	*1.150	440	*675	290	*435	
	0 m	830	*1.175	440	*640	305	*440	
	-1 m	850	*1.200	450	*650	320	*445	
L=1.320 mm	0 m	780	*1.110	395	*530	260	*415	

- Data are based on ISO 10567 standard. Above lifting capacities include a 25% safety margin and don't exceed 87% of the actual capacity. Values with asterisk (\*) are referred to hydraulic capacities.  
 - In accordance with European norm EN 474-5, the machine is not qualified to lift loads heavier than 1.000 kg, unless it is equipped with appropriate safety devices. Lifting operations with lowered blade are allowed only with safety valve on blade cylinder.

kg